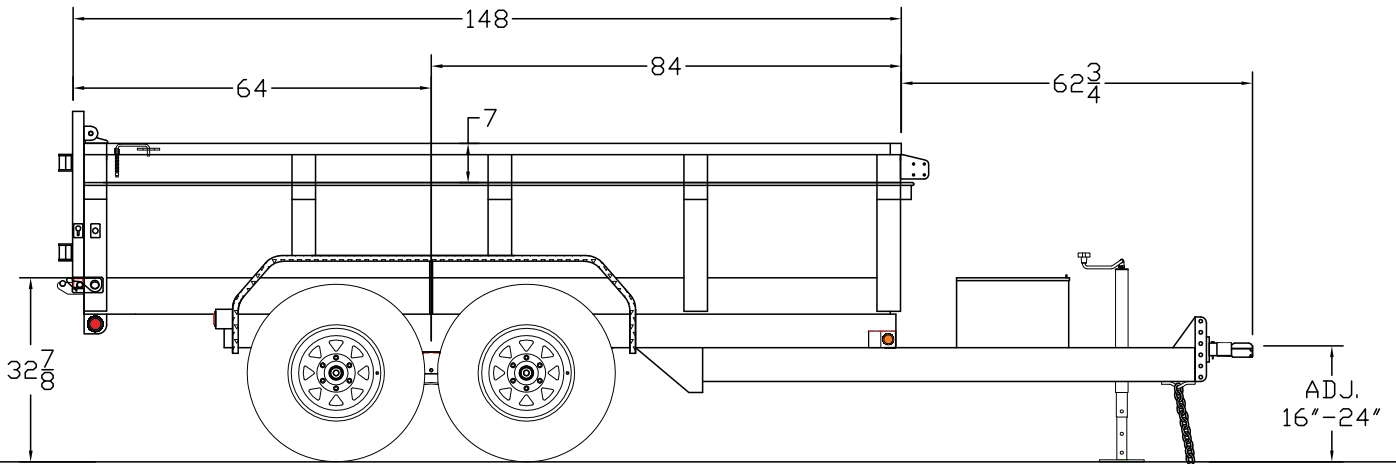


# 10SR Tandem Axle Single Ram Dump

<b>G.V.W.R.</b>	9,990#	<b>AXLES</b>	Two 5,200# EZ Lube w/Elec. Brake
<b>G.A.W.R. (Ea. Axle)</b>	5,080#	<b>SUSPENSION</b>	Multi-Leaf Spring w/Equalizer
<b>COUPLER</b>	2-5/16" Adjustable Forged	<b>TIRE</b>	ST235/80 D-16 Load Range E
<b>SAFETY CHAINS</b>	1/4" Grd. 70 w/Safety Latch Hook (2 each)	<b>WHEEL</b>	16 x 6 White Spoke 6 Bolt
<b>JACKS</b>	7K TW Drop Leg (Bolted On)	<b>FLOOR</b>	10 Gauge Smooth Steel
<b>TONGUE</b>	6" Channel	<b>LIGHTS</b>	D.O.T. Stop, Tail, Turn & Clearance
<b>FRAME</b>	6" Channel	<b>ELEC. PLUG</b>	7-Way RV
<b>CROSSMEMBERS</b>	8" Channel	<b>FINISH (Prep)</b>	Steel is Cleaned to Ensure a Professional Smooth Finish.
<b>BED CROSSMEMBERS</b>	2" x 2" Tubing	<b>FINISH</b>	Superior Quality Finish is Applied with Pin-Stripping for a Highly Decorative and Protective Finish.
<b>BED LONG SILS</b>	4" Channel		
<b>BED SIDE RAILS</b>	6 1/2" Formed Angle		
<b>FENDERS</b>	9" x 72" Double Square Broke Diamond Plate		

## Standard Features

- Safety Chains Attached w/Cold Rolled Eyelets
- Enclosed Pump & Battery Box Mounted in Front of Bed
- Modular Sealed Wiring Harness
- 24", 12 Ga. Sides
- 10 Ga. Floor
- 1/2" Tie Rail on all 4 Sides
- 13 Stake Pockets (Sides & Front)
- Tarp Brackets
- Self Contained Electric/Hydraulic Single Cylinder Lift
- 45 Degree Dump Angle
- Cambered EZ Lube Axles
- Complete Break-A-Way System w/Charge Line
- Grommet Mount Sealed Lighting
- Combo Gate
- Available in Black Only



MODEL#	DESCRIPTION
10SR-12XL	83" x 12' Low Profile Tandem Axle Dump

## TRAILER WEIGHTS & CAPACITIES

LENGTH	EMPTY WEIGHT	PAYLOAD	BOX CAPACITY
12'	3,730#	6,660#	6.1 Cubic Yards

### OPTIONS

7' Slide In Ramps	5 Watt Solar Charger
Spare Tire (ST 235/80 D-16 LR-E)	110V Charger
Wireless Remote	Crank Style Roll Tarp
2 Watt Solar Charger	

STANDARD MODEL - NO OTHER OPTIONS AVAILABLE