

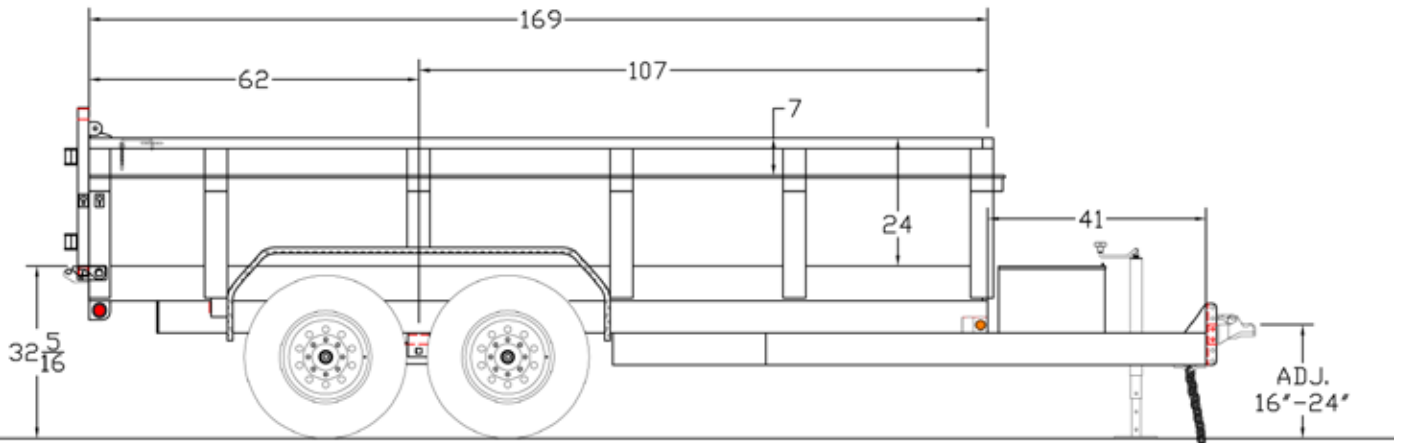
# 14LX/14GX Tandem Axle Low Profile Extra Wide Dump

<b>G.V.W.R.</b>	14,000#	<b>AXLES</b>	Two 7,000# EZ Lube w/Elec. Brake
<b>G.A.W.R. (Ea. Axle)</b>	7,000#	<b>SUSPENSION</b>	Multi-Leaf Slipper Spring w/Equalizer
<b>COUPLER</b>	Adjustable Forged 2-5/16" - LX Adjustable 2-5/16" Pipe - GX	<b>TIRE</b>	ST235/16 Load Range E
<b>SAFETY CHAINS</b>	3/8" Grd. 70 w/Safety Latch Hook (2 each)	<b>WHEEL</b>	16 x 6 HD White Modular 8 Bolt
<b>JACKS</b>	LX-7K TW Drop Leg, GX-Dual 12K SW Drop Legs	<b>FLOOR</b>	12 Gauge Smooth Steel
<b>TONGUE</b>	6" Channel Fold Back	<b>LIGHTS</b>	D.O.T. Stop, Tail, Turn & Clearance
<b>FRAME</b>	6" Channel	<b>ELEC. PLUG</b>	7-Way RV
<b>CROSSMEMBERS</b>	6" Channel, 3" x 3" Tubing	<b>FINISH (Prep)</b>	Steel is Cleaned and Etched to Ensure Smooth, High Bond Paint Adhesion.
<b>BED CROSSMEMBERS</b>	14" Centers, 2" x 2" Tubing	<b>FINISH</b>	Painted with High-Solids Supreme Automotive Grade Enamel and Pin-Striped for a Highly Decorative and Protective Finish.
<b>BED LONG SILS</b>	4" Channel		
<b>BED SIDE RAILS</b>	6-1/2" Formed Angle		
<b>FENDERS</b>	Double Square Broke Diamond Plate		

## Standard Features

- Safety Chains Attached w/Cold Rolled Eyelets
- Enclosed Pump & Battery Box Mounted in Front of Bed
- Lockable Control Unit
- Modular Sealed Wiring Harness
- 24", 12 Ga. Sides w/Formed Channel Supports
- 12 Ga. Floor
- 1/2" Tie Rail on all 4 Sides
- 20 Stake Pockets (Sides & Front)
- 4-5/8" D-Rings Inside Bed
- Fully Self Contained Electric Hydraulic Scissor Lift
- 45 Degree Dump Angle
- Cambered EZ Lube Axles
- Complete Break-A-Way System w/Charge Line
- Grommet Mount Sealed Lighting
- Double Rear Gates w/Cam Latch and Removable Header Across Rear

### Shown with Optional 2-Way Gate



MODEL#	DESCRIPTION
14LX-14	83" x 14' Low Profile Tandem Axle Bumper Pull Dump
14GX-14	83" x 14' Low Profile Tandem Axle Gooseneck Dump

## TRAILER WEIGHTS & CAPACITIES

LENGTH	EMPTY WEIGHT	PAYLOAD	BOX CAPACITY
14LX-14'	4,200#	9,760#	7.2 Cubic Yards
14GX-14'	4,600#	9,760#	7.2 Cubic Yards

### OPTIONS

Spare Tire (ST235/16 LR-E)	3 Way Gate
Tire Upgrade (ST235/16 LR-G)	Wireless Remote
Spare Tire Upgrade (ST235/16 LR-G)	2 Watt Solar Charger
Spare Tire Mount (14LX-Optional, GX-Standard)	5 Watt Solar Charger
Expanded Metal Side Extensions - 14'	110V Charger
7' Slide In Ramps	Crank Style Roll Tarp