

10ET

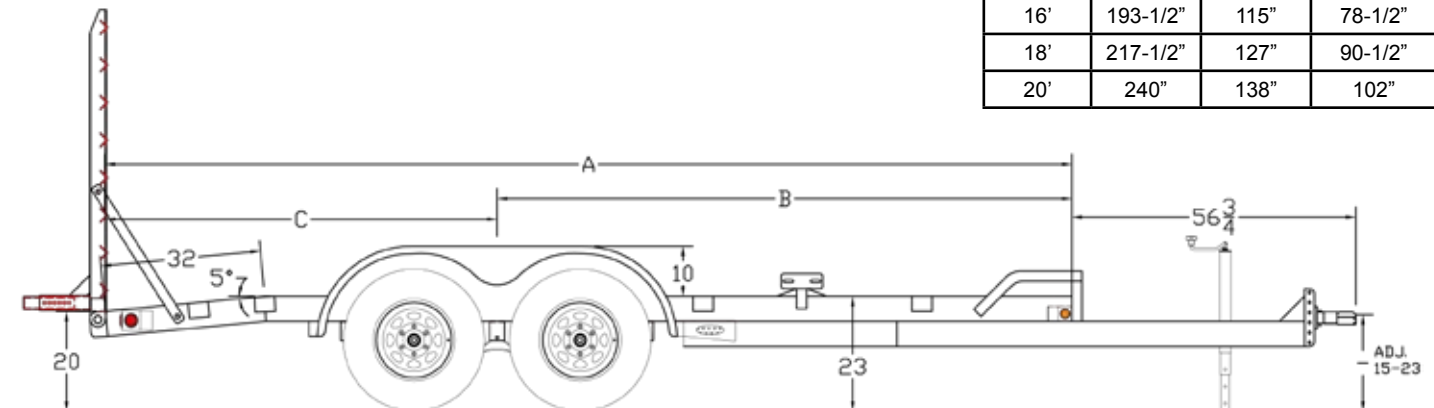
Pro Series Tandem Axle Equipment

G.V.W.R.	9,990#	AXLES	Two 5,200# EZ Lube w/Electric Brakes
G.A.W.R. (Ea. Axle)	5,080#	SUSPENSION	Multi-Leaf Spring w/Equalizer
COUPLER	Adjustable Forged 2-5/16"	TIRE	ST225/75-15 Load Range D
SAFETY CHAINS	1/4" Grd. 70 w/Safety Latch Hook (2 each)	WHEEL	15 x 6 White Spoke 6 Bolt
JACK	7,000# Drop Leg (Bolted On)	FLOOR	2" Pine
TONGUE	5" Channel Fold Back	LIGHTS	D.O.T. Stop, Tail, Turn & Clearance
TOP RAIL	None	ELEC. PLUG	7-Way RV
FRAME	5" Channel	FINISH (Prep)	Steel is Cleaned and Etched to Ensure Smooth, High Bond Paint Adhesion.
CROSSMEMBERS	3" Channel	FINISH	Painted with High-Solids Supreme Automotive Grade Enamel and Pin-Striped for a Highly Decorative and Protective Finish.
UPRIGHTS	None		
FENDERS	9" x 72" Tear Drop w/Back		

Standard Features

- Adjustable Forged Coupler
- Safety Chains Attached w/Cold Rolled Eyelets
- 7K Drop Leg Jack
- Lower Jack Support Plate
- Fold Back Tongue (14' and longer)
- Reflective Marker Tape
- Tie Down Pockets, Sides, Front & Rear
- 2" Tubular Stop Rail
- Floor Secured w/Torx Screws
- Cambered EZ Lube Axles
- Two 5,200# Cambered Axles w/Electric Brakes
- Complete Break-A-Way System w/Charger
- Spare Tire Mount
- 32" Dovetail
- 5' Stand-Up Ramps w/Support Leg
- Grommet Mount Sealed Lighting

Dimensions			
Length	A	B	C
16'	193-1/2"	115"	78-1/2"
18'	217-1/2"	127"	90-1/2"
20'	240"	138"	102"



MODEL#	WEIGHT	DESCRIPTION
10ET-16	2,300#	83" x 16' Tandem Axle Equipment Trailer
10ET-18	2,460#	83" x 18' Tandem Axle Equipment Trailer
10ET-20	2,660#	83" x 20' Tandem Axle Equipment Trailer

OPTIONS

Hydraulic Brakes 2 Axles	Spare Tire (ST225/75-15 LR-D)
Gooseneck in Lieu of Bumper Pull	Tire Upgrade (7.50 x 16" LT LR-E)
6' x 4' Heavy Duty Angle Frame Option	Spare Tire Upgrade (7.50 x 16" LT LR-E)