

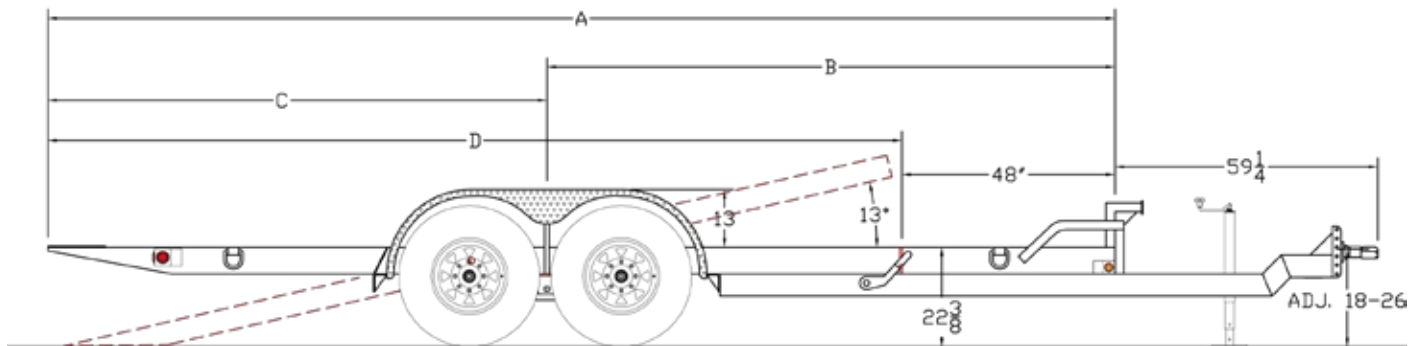
# 12TL Pro Series Tilt Bed Equipment

<b>G.V.W.R.</b>	12,000#	<b>AXLES</b>	Two 6,000# EZ Lube w/Electric Brakes
<b>G.A.W.R. (Ea. Axle)</b>	6,000#	<b>SUSPENSION</b>	Multi-Leaf Slipper Spring w/Equalizer
<b>COUPLER</b>	Adjustable Forged 2-5/16"	<b>TIRE</b>	7.50 x 16" LT Load Range E
<b>SAFETY CHAINS</b>	1/4" Grd. 70 w/Safety Latch Hook (2 each)	<b>WHEEL</b>	16 x 6 White Spoke 8 Bolt
<b>JACK</b>	7,000# Drop Leg Jack (Bolted On)	<b>FLOOR</b>	2" Pine
<b>TONGUE</b>	5" Channel Fold Back	<b>LIGHTS</b>	D.O.T. Stop, Tail, Turn & Clearance
<b>TOP RAIL</b>	None	<b>ELEC. PLUG</b>	7-Way RV
<b>FRAME</b>	6" Channel	<b>FINISH (Prep)</b>	Steel is Cleaned and Etched to Ensure Smooth, High Bond Paint Adhesion & Undercoated.
<b>CROSSMEMBERS</b>	3" Channel, 3" Sq. Tube	<b>FINISH</b>	Painted with High-Solids Supreme Automotive Grade Enamel and Pin-Striped for a Highly Decorative and Protective Finish.
<b>FENDERS</b>	10-3/4" x 72" Diamond Plate Teardrop w/ Back		

### Standard Features

- Adjustable Forged Coupler
- Fold Back Tongue w/Raised Coupler
- Safety Chains Attached w/Cold Rolled Eyelets
- 7K Drop Leg Jack (Bolted On)
- Lower Jack Support Plate
- Unique Two Piece Main Frame
- 102" Wide Overall, 80" Width Between Fenders
- Tilt Platform is 75" Wide
- Hydraulic Dampening System
- Reflective Marker Tape
- Floor Secured w/Torx Screws
- Cambered EZ Lube Axles
- Two 6,000# Axles w/2 Electric Brakes
- Complete Break-A-Way System w/Charger
- Spare Tire Mount
- 1/4" Diamond Plate Knife Edge
- Grommet Mount Sealed Lighting

Dimensions				
Length	A	B	C	D
20'	240-1/2"	128"	112-1/2"	192"



MODEL#	WEIGHT	DESCRIPTION
12TL-20	3,225#	80" x 20' (16' + 4') Tilt Trailer

### OPTIONS

Adjustable Pintle in Channel	Spare Tire (7.50 x 16" LT LR-E)
12K Drop Leg Jack	Tire Upgrade (ST235/16 LR-E)
Hydraulic Brakes 2 Axles	Spare Tire Upgrade (ST235/16 LR-E)