

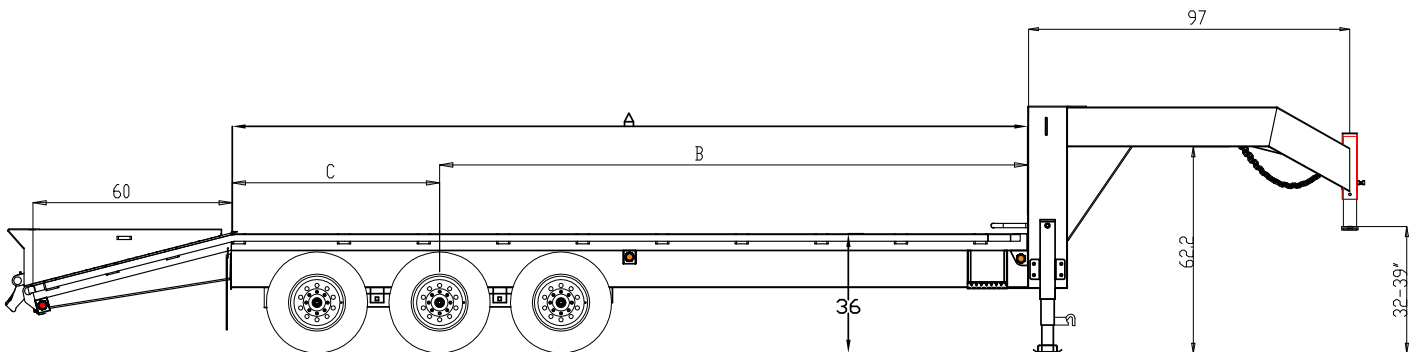
21GN Triple Axle Gooseneck

G.V.W.R. 21,000#	AXLES 3-7K EZ Lube Electric Brakes
G.A.W.R. (Ea. Axle) 7,000#	SUSPENSION Multi-Leaf Slipper Spring w/Equalizer
COUPLER 2-5/16" Ball Adj. Square Crank Type	TIRE ST235/80 R-16 Load Range E
SAFETY CHAINS 3/8" Grd. 70 w/Safety Latch Hook (2 each)	WHEEL 16 x 6 Heavy White Mod
JACKS Two 12K Drop Leg Jacks (Bolted On)	FLOOR 2" Pine
NECK 12" I-Beam	LIGHTS D.O.T. Stop, Tail, Turn & Clearance
TOP RAIL None	ELEC. PLUG 7-Way RV
FRAME 12" I-Beam	FINISH (Prep) Steel is Cleaned to Ensure a Professional Smooth Finish.
CROSSMEMBERS 3" Channel	FINISH Superior Quality Finish is Applied for a Highly Decorative and Protective Finish.
SIDE RAILS 5" Channel w/Rub Rail, Stake Pockets on 24" Centers, and Chain Spools	

Standard Features

- Safety Chains Attached w/Cold Rolled Eyelets
- Two Bolted On Jacks w/Greasable Handle (PH has Single TW Drop-Leg Jack)
- 102" Overall Width
- 28' (Flat Deck) and Longer Include Torque Tube
- Lockable Toolbox Between GN Uprights
- Modular Sealed Wiring Harness
- 1-1/4" Pipe Chain Spool Between Stake Pockets
- Safety Reflective Marker Tape
- 3-7K EZ Lube Cambered Electric Brake Axles
- Complete Break-A-Way System w/Battery & Charger
- Radial Tires
- Spare Tire Mount
- Rubber Mounted Sealed Lighting
- (2) Side Bed Steps
- 5' Dovetail w/Dble Hinged Spring Assist Fold Over Ramps

Dimensions w/Dovetail			
Model	A	B	C
20 + 5	240"	196"	44"
24 + 5	288"	232"	56"



MODEL#	WEIGHT	DESCRIPTION
21GN-20+5	5,080#	102"x 20' + 5' Triple Axle 21,000# Gooseneck
21GN-24+5	5,550#	102"x 24' + 5' Triple Axle 21,000# Gooseneck

OPTIONS

Dual 2 Speed Landing Gear	Tool Box 18" x 18" x 36" Side Mount
Electric Over Hydraulic Brakes (Drums)	L.E.D. Lighting
Torsion Axles	Center Popup Dovetail w/5' Fold Up Ramps
Spare Tire (ST235/80 R-16 LR-E)	No Dovetail Option
Upgrade Tire (ST235/85 R-16 LR-G)	Three Ramps w/Diamond Plate on Bottoms
Upgrade Spare Tire (ST235/85 R-16 LR-G)	Pintle in Lieu of Gooseneck
Low Profile Tool Box 12" x 18" x 36" Side Mount	