

30LS / 35LS

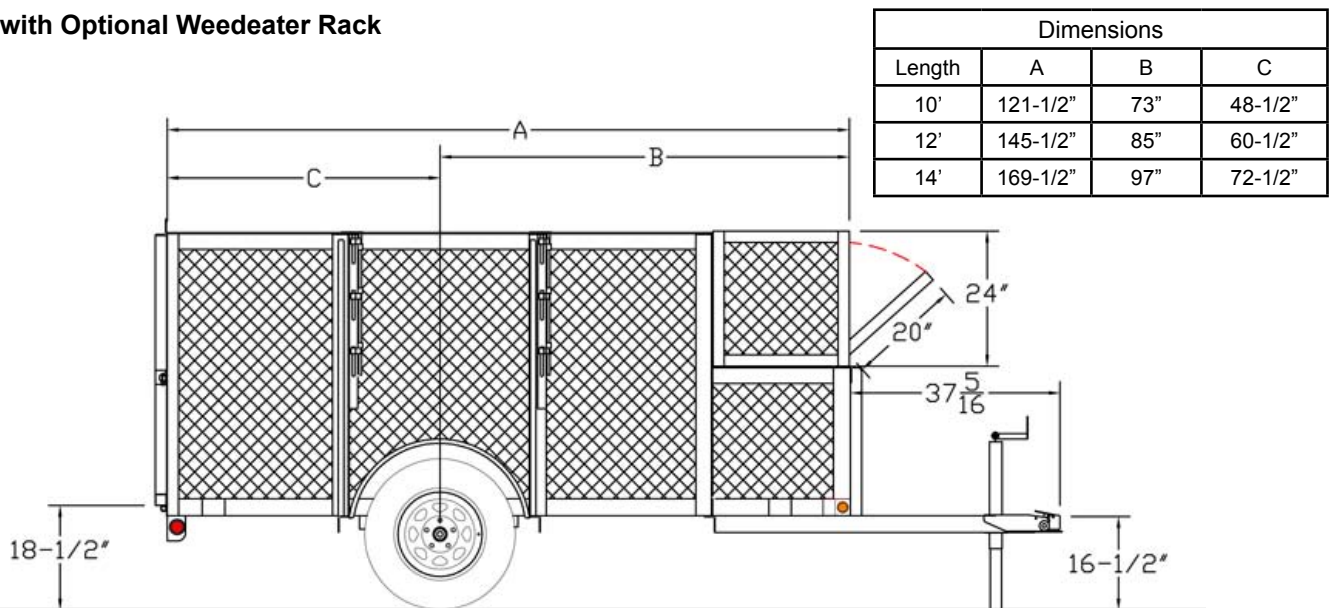
Single Axle Landscape

G.V.W.R.	2,995#	AXLE	3,500# EZ Lube w/Brake Flanges
G.A.W.R.	2,995#	SUSPENSION	Multi-Leaf Spring
COUPLER	2" A-Frame	TIRE	ST205/75-15 Load Range C
SAFETY CHAINS	1/4" Grd. 30 w/Safety Latch Hook (2 each)	WHEEL	15 x 5 White Spoke 5 Bolt
JACK	2,000# Top Wind (Bolted On)	FLOOR	2" Pine
TONGUE	3" Channel	LIGHTS	D.O.T. Stop, Tail, Turn & Clearance
TOP RAIL	3" x 2" x 3/16" Angle	ELEC. PLUG	4-Way Flat w/Loom
FRAME	3" x 2" x 3/16" Angle	FINISH (Prep)	Steel is Cleaned and Etched to Ensure Smooth, High Bond Paint Adhesion.
CROSSMEMBERS	3" x 2" x 3/16" Angle	FINISH	Painted with High-Solids Supreme Automotive Grade Enamel and Pin-Striped for a Highly Decorative and Protective Finish.
UPRIGHTS	3" x 2" x 3/16" Angle, 3" x 2" Tube		
FENDERS	9" x 32" Rolled Formed w/Back		

Standard Features

- Safety Chains Attached w/Cold Rolled Eyelets
- Sand Foot on Jack
- 24" x 24" x Width of Trailer, Lockable Landscape Box Mounted on Front of Trailer
- 4' Sides Enclosed w/Expanded Metal
- 4 Tool Holders on Road Side
- Floor Secured w/Torx Screws
- EZ Lube Axle
- 4' Rampgate w/Expanded Metal
- 30LS has 3 Center Uprights in Gate
- 35LS has 5 Center Uprights in Gate
- Grommet Mount Sealed Lighting

Shown with Optional Weedeater Rack



MODEL#	WEIGHT	DESCRIPTION
30LS-10	1,260#	60" x 10' Single Axle Landscape
35LS-10	1,420#	83" x 10' Single Axle Landscape
35LS-12	1,650#	83" x 12' Single Axle Landscape
35LS-14	1,820#	83" x 14' Single Axle Landscape

OPTIONS

2" Forged Coupler	Spare Tire (ST205/75-15 LR-C)
2K Fold-Up Jack	Gas Spring Assist Option - Rampgate
Set Back Jack	Weed Eater Racks
Electric Brakes w/Complete Break-Away Kit	
Spare Tire Mount (Side)	