

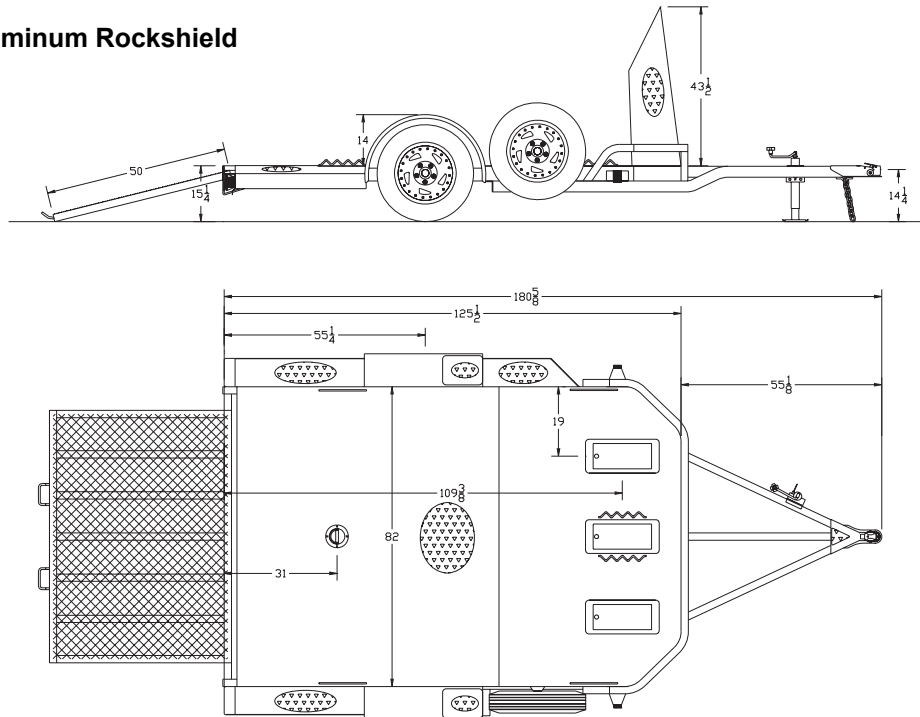
35MC Single Axle Motorcycle

G.V.W.R.	2,995#	AXLE	3,500# EZ Lube Torflex w/Brake Flanges
G.A.W.R.	2,995#	SUSPENSION	Torsion
COUPLER	2" A-Frame	TIRE	ST205/75D15 Load Range C
SAFETY CHAINS	1/4" Grd. 30 w/Safety Latch Hook (2 each)	WHEEL	15 x 6, Chrome 5 Bolt
JACK	2,000# Top Wind Fold Up	FLOOR	1/8" Diamond Plate
TONGUE	3" x 2" Tube Cold Formed	LIGHTS	D.O.T. Stop, Tail, Turn & Clearance
FRAME	4" x 2" Tube	ELEC. PLUG	4-Way Flat w/Loom
CROSSMEMBERS	3" x 2" x 3/16" Angle	FINISH (Prep)	Steel is Cleaned and Etched to Ensure Smooth, High Bond Paint Adhesion.
FENDERS	9" X 32" Rolled Formed w/Backs	FINISH	Painted with High-Solids Supreme Automotive Grade Enamel and Pin-Striped for a Highly Decorative and Protective Finish.
SPARE	ST205/75D15 LR-C on Chrome Wheel		

Standard Features

- Front & Rear Running Boards w/Aluminum TreadBrite Inserts
- 1/8" Diamond Plate Floor
- 3, 6-5/8" Wide Flip-Up Wheel Chocks
- 4-Outer Tie Down Rails w/Center D-Ring
- 3,500# Torflex Axle w/Brake Flanges for Easy Brake Addition
- EZ Lube Axle
- Chrome Wheels w/Chrome Caps & Lugnuts
- Spare & Spare Mount
- Aluminum TreadBrite Rock Guards on Fenders
- 50" x 69" Pull-Out Tubular Ramp w/Expanded Metal
- Grommet Mount Sealed Lighting

Shown with Optional Aluminum Rockshield



MODEL#	WEIGHT	DESCRIPTION
35MC-10	1,290#	82" x 10' Single Axle Trailer

OPTIONS

Electric Brakes w/Complete Break-Away Kit	Aluminum TreadBrite V-Shape Tool Box
Aluminum TreadBrite Front RockShield	