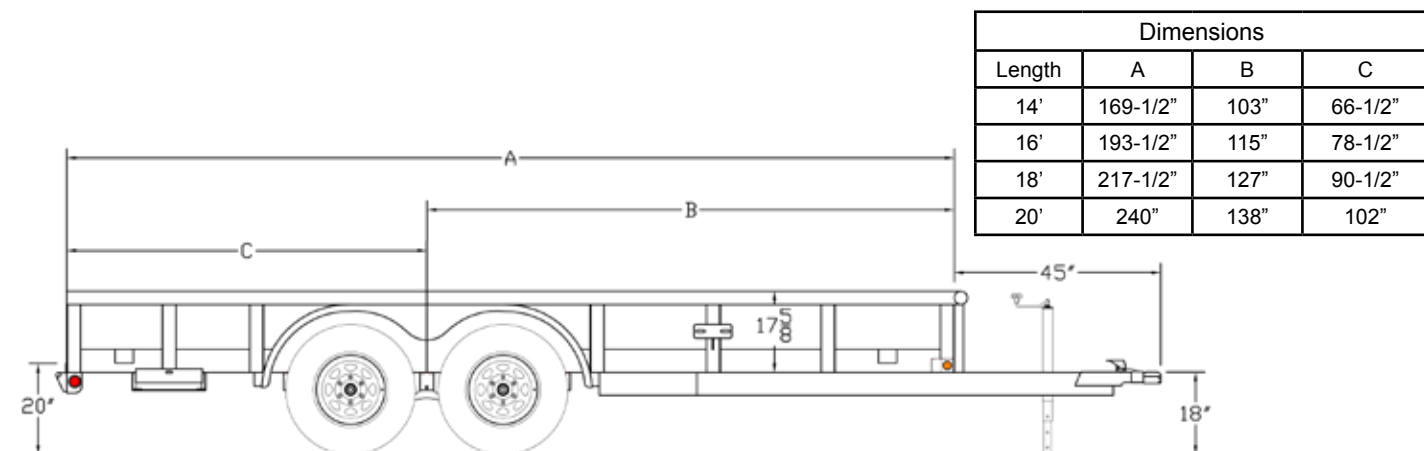


10PI Tandem Axle Pipe Utility

G.V.W.R.	9,990#	AXLES	Two 5,200# EZ Lube w/Electric Brakes
G.A.W.R. (Ea. Axle)	5,200#	SUSPENSION	Multi-Leaf Spring w/Equalizer
COUPLER	2-5/16" A-Frame	TIRE	ST225/75-15 Load Range D
SAFETY CHAINS	1/4" Grd. 70 w/Safety Latch Hook (2 each)	WHEEL	15 x 6 White Spoke 6 Bolt
JACK	7,000# Drop Leg (Bolted On)	FLOOR	2" Pine
TONGUE	5" Channel Fold Back	LIGHTS	D.O.T. Stop, Tail, Turn & Clearance
TOP RAIL	2-7/8" Pipe Square Back	ELEC. PLUG	7-Way RV
FRAME	5" x 3" x 1/4" Angle	FINISH (Prep)	Steel is Cleaned and Etched to Ensure Smooth, High Bond Paint Adhesion & Undercoated.
CROSSMEMBERS	3" x 2" x 3/16" Angle	FINISH	Painted with High-Solids Supreme Automotive Grade Enamel and Pin-Striped for a Highly Decorative and Protective Finish.
UPRIGHTS	16" Tall - 3" x 2" x 3/16" Angle		
FENDERS	9" x 72" Double Square Broke, Diamond Plate w/Back		

Standard Features

- Forged Coupler
- Safety Chains Attached w/Cold Rolled Eyelets
- Set Back 7K Drop Leg Jack
- Lower Jack Support Plate
- Fold Back Tongue (14' and longer)
- Reflective Marker Tape
- Tie Down Pockets, Sides & Rear
- 2-7/8" Pipe Top Rail Capped w/Self Sealing Plugs
- Cambered EZ Lube Axles
- Two 5,200# Cambered Axles w/2 Electric Brakes
- Complete Break-A-Way System w/Charger
- Spare Tire Mount
- 4' Slide-In Ramps (Channel)
- Grommet Mount Sealed Lighting



MODEL#	WEIGHT	DESCRIPTION
10PI-14	1,960#	83" x 14' Tandem Axle
10PI-16	2,110#	83" x 16' Tandem Axle
10PI-18	2,270#	83" x 18' Tandem Axle
10PI-20	2,530#	83" x 20' Tandem Axle

OPTIONS

12K Top Wind Drop Leg Jack	Rampgate in Lieu of Ramps
Hydraulic Brakes 2 Axles w/Adjustable Demco Actuator	Gas Spring Assist Option - Rampgate
Spare Tire (ST225/75-15 LR-D)	4' Heavy Duty Integrated Ramp Gate w/Gas Spring Assist in Lieu of Ramps
Tire Upgrade (7.50 x 16" LT LR-E)	5' Stand Up Ramps in Lieu of Slide In
Spare Tire Upgrade (7.50 x 16" LT LR-E)	