

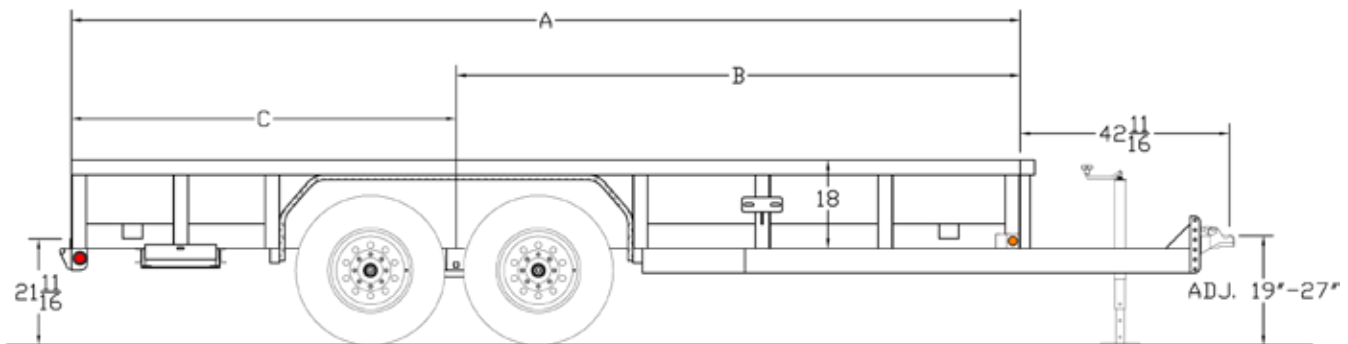
14PI Heavy Duty Pipe Tandem Axle

| | | | |
|----------------------------|---|----------------------|---|
| G.V.W.R. | 14,000# | AXLES | Two 7,000# EZ Lube w/Electric Brakes |
| G.A.W.R. (Ea. Axle) | 7,000# | SUSPENSION | Multi-Leaf Slipper Spring w/Equalizer |
| COUPLER | Adjustable 2-5/16" 14K Cast | TIRE | ST235/16 Load Range E |
| SAFETY CHAINS | Grd. 70 w/Safety Latch Hook (2 each) | WHEEL | 16 x 6 Heavy White Mod |
| JACK | 7,000# Drop Leg Jack Wind (Bolted On) | FLOOR | 2" Pine |
| TONGUE | 5" Channel Fold Back | LIGHTS | D.O.T. Stop, Tail, Turn & Clearance |
| TOP RAIL | 3" Square Tube Square Back | ELEC. PLUG | 7-Way RV |
| FRAME | 5" x 3" x 5/16" Angle | FINISH (Prep) | Steel is Cleaned and Etched to Ensure Smooth, High Bond Paint Adhesion & Undercoated. |
| CROSSMEMBERS | 3" Channel | FINISH | Painted with High-Solids Supreme Automotive Grade Enamel and Pin-Striped for a Highly Decorative and Protective Finish. |
| UPRIGHTS | 15" Tall - 3" x 2" x 3/16" Angle | | |
| FENDERS | 9" x 72" Double Broke Diamond Plate w/ Back | | |

Standard Features

- Adjustable 14K Cast Coupler
- Safety Chains Attached w/Cold Rolled Eyelets
- 7K Set Back Jack (Bolted On)
- Lower Jack Support Plate
- Fold Back Tongue (14' and longer)
- Reflective Marker Tape
- Tie Down Pockets, Sides & Rear
- 3" Square Tube Top Rail Capped w/Self Sealing Plugs
- Floor Secured w/Torx Screws
- Cambered EZ Lube Axles
- Two 7,000# Cambered Axles w/2 Electric Brakes
- Complete Break-A-Way System w/Charger
- Spare Tire Mount (Side)
- 4' Slide-In Ramps (Channel)
- Grommet Mount Sealed Lighting

| Dimensions | | | |
|------------|----------|------|---------|
| Length | A | B | C |
| 16' | 193-1/2" | 115" | 78-1/2" |
| 18' | 217-1/2" | 127" | 90-1/2" |
| 20' | 240" | 138" | 102" |



| MODEL# | WEIGHT | DESCRIPTION |
|---------|--------|-----------------------|
| 14PI-16 | 2,310# | 83" x 16' Tandem Axle |
| 14PI-18 | 2,470# | 83" x 18' Tandem Axle |
| 14PI-20 | 2,990# | 83" x 20' Tandem Axle |

OPTIONS

| | |
|------------------------------|---|
| Adjustable Pintle in Channel | Spare Tire Upgrade (ST235/16 LR-G) |
| 12K Top Wind Drop-Leg Jack | Rampgate in Lieu of Ramps |
| Hydraulic Brakes 2 Axles | Gas Spring Assist Option - Rampgate |
| Spare Tire (ST235/16 LR-E) | 4' Integrated Ramp Heavy Duty Gate w/Gas Spring Assist in Lieu of Ramps |
| Tire Upgrade (ST235/16 LR-G) | 5' Stand up Ramps in Lieu of Slide In |