

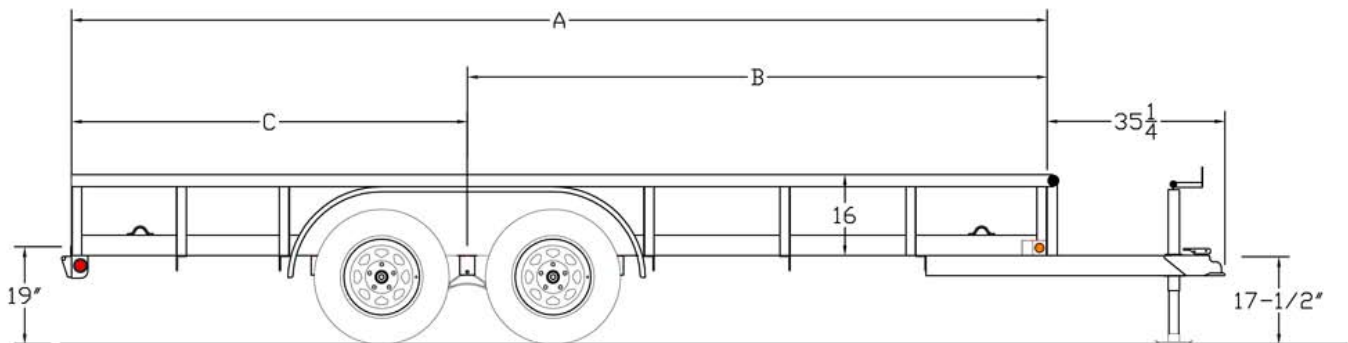
60SP Tandem Axle Pipe Special

G.V.W.R. 6,000#	AXLES Two 3,500# EZ Lube w/1 Elec. Brake
G.A.W.R. (Ea. Axle) 3,500#	SUSPENSION Multi-Leaf Spring w/Equalizer
COUPLER 2" A-Frame	TIRE ST205/75-15 Load Range C
SAFETY CHAINS 1/4" Grd. 70 w/Safety Latch Hook (2 each)	WHEEL 15 x 5 White Spoke 5 Bolt
JACK 2,000# Top Wind (Bolted On)	FLOOR 2" Pine
TONGUE 4" Channel A-Frame	LIGHTS D.O.T. Stop, Tail, Turn & Clearance
TOP RAIL 2-3/8" Pipe Square Back	ELEC. PLUG 7-Way RV
FRAME 4" x 3" x 1/4" Angle	FINISH (Prep) Steel is Cleaned and Etched to Ensure Smooth, High Bond Paint Adhesion.
CROSSMEMBERS 3" x 2" x 3/16" Angle	FINISH Painted with High-Solids Supreme Automotive Grade Enamel and Pin-Striped for a Highly Decorative and Protective Finish.
UPRIGHTS 16" Tall 3" x 2" x 3/16" Angle	
FENDERS 9" x 72" Rolled Formed w/Back	

Standard Features

- Safety Chains Attached w/Cold Rolled Eyelets
- Sand Foot on Jack
- Lower Jack Support Plate
- 2-3/8" Top Rail Capped w/Self Sealing Plugs
- Floor Secured w/Torx Screws
- 4 Tie Down Loops
- Cambered EZ Lube Axles
- Two 3,500# Axles w/1 Electric Brake
- Complete Break-A-Way System w/Charger
- Grommet Mount Sealed Lighting
- Black Only

Dimensions			
Length	A	B	C
14'	169-1/2"	103"	66-1/2"
16'	193-1/2"	115"	78-1/2"



MODEL#	WEIGHT	DESCRIPTION
60SP-14	1,410#	77" x 14' Tandem Axle Trailer
60SP-16	1,610#	77" x 16' Tandem Axle Trailer

OPTIONS

Electric Brakes on 2nd Axle	4' Slide in Ramps
Spare Tire Mount	4' Rampgate (6.5 W)
Spare Tire (ST205/75-15 LR-C)	Gas Spring Assist Option - Rampgate

STANDARD MODEL - NO OTHER OPTIONS AVAILABLE - BLACK ONLY