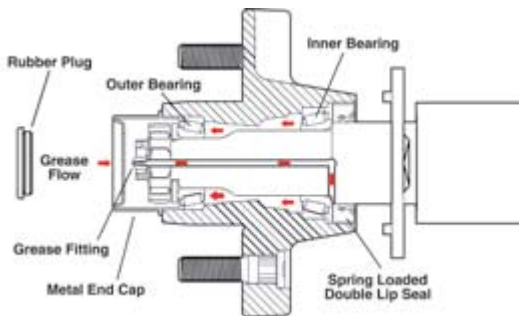
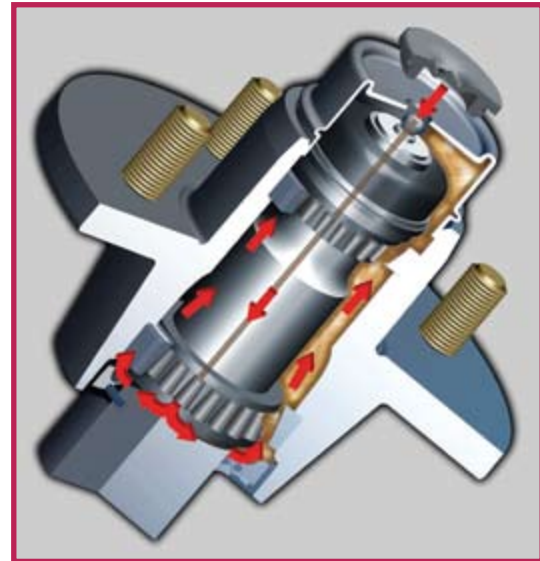




**DEXTER AXLE**



For custom building axles, or anywhere a spindle/hub would be preferred over a complete axle. Examples include: portable welders, cattle “squeeze-chutes”, industrial dollies, etc. These End Units come completely assembled and feature the E-Z Lube option for easier bearing lubrication. Available with idler hubs and with electric or hydraulic brakes.

PART NO.	REF. NO.	CAPACITY PER PAIR	BOLT PATTERN	HUB TYPE	SHANK SIZE
20440IEU	105050	2000	4 ON 4"	IDLER	1 1/4" X 4"
20545IEU	105055	2000	5 ON 4 1/2"	IDLER (6.5" HUB FLG)	1 1/4" X 4"
35545IEU	105060	3500	5 ON 4 1/2"	IDLER	1 3/4" X 3"
35545EEULH	105065	3500	5 ON 4 1/2"	LH ELECTRIC	1 3/4" X 3"
35545EEURH	105070	3500	5 ON 4 1/2"	RH ELECTRIC	1 3/4" X 3"
35545HEULH	105075	3500	5 ON 4 1/2"	LH UNI-SERVO	1 3/4" X 3"
35545HEURH	105080	3500	5 ON 4 1/2"	RH UNI-SERVO	1 3/4" X 3"
52655IEU	105085	5200	6 ON 5 1/2"	IDLER	2 1/4" X 3"
52655EEULH	105095	5200	6 ON 5 1/2"	LH ELECTRIC	2 1/4" X 3"
52655EEURH	105100	5200	6 ON 5 1/2"	RH ELECTRIC	2 1/4" X 3"
52655HEULH	105102	5200	6 ON 5 1/2"	LH UNI-SERVO	2 1/4" X 3"
52655HEURH	105104	5200	6 ON 5 1/2"	RH UNI-SERVO	2 1/4" X 3"
52655HYEULH	105106	5200	6 ON 5 1/2"	LH DUO-SERVO	2 1/4" X 3"
52655HYEURH	105108	5200	6 ON 5 1/2"	RH DUO-SERVO	2 1/4" X 3"
52865IEU	105110	5200	8 ON 6 1/2"	IDLER	2 1/4" X 3"
52865EEULH	105112	5200	8 ON 6 1/2"	LH ELECTRIC	2 1/4" X 3"
52865EEURH	105114	5200	8 ON 6 1/2"	RH ELECTRIC	2 1/4" X 3"
52865HEULH	105125	5200	8 ON 6 1/2"	LH UNI-SERVO	2 1/4" X 3"
52865HEURH	105130	5200	8 ON 6 1/2"	RH UNI-SERVO	2 1/4" X 3"
52865HYEULH	105145	5200	8 ON 6 1/2"	LH DUO-SERVO	2 1/4" X 3"
52865HYEURH	105150	5200	8 ON 6 1/2"	RH DUO-SERVO	2 1/4" X 3"