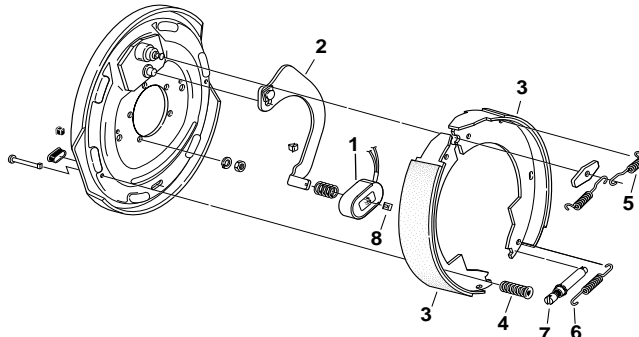


Dexter 12" x 2" Electric



BRAKE
ASSEMBLIES

Dexter 12" x 2" Electric Brake Assemblies

* Capacity: 6,000 & 7,000 lbs. per pair

PART NO.	REF. NO.	DESCRIPTION
23-105	182900	LEFT BRAKE (SHOWN IN PHOTO), 6K
23-106	183000	RIGHT BRAKE, 6K
23-458	183100	LEFT BRAKE, 6K NEV-R-ADJUST (SHOWN IN PHOTO)
23-459	183150	RIGHT BRAKE, 6K NEV-R-ADJUST
23-180	184400	LEFT BRAKE, 7K
23-181	184600	RIGHT BRAKE, 7K
23-464	184625	LEFT BRAKE, 7K NEV-R-ADJUST
23-465	184650	RIGHT BRAKE, 7K NEV-R-ADJUST
EB01-120	188890	LEFT BRAKE W/ HARDWARE, PKGD 6K
EB01-125	188895	RIGHT BRAKE W/ HARDWARE, PKGD 6K

Replacement Parts

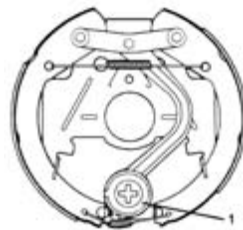
PART NO.	REF. NO.	DESCRIPTION	ITEM
BP01-180	195000	MAGNET KIT, 6K (WHITE WIRE)	
BP01-185	195050	MAGNET KIT, 6K (WHITE WIRE, GENUINE DEXTER) W/ PROTECTIVE WIRE SLEEVE	1
BP01-225	195850	MAGNET KIT, 7K (BLACK WIRE), GENUINE DEXTER W/ PROTECTIVE WIRE SLEEVE	1
BP02-230	201400	ACTUATING ARM, LEFT HAND	2
BP02-240	201600	ACTUATING ARM, RIGHT HAND	2
BP04-150	205950	SHOE & LINING (1 WHEEL) 6K	3
K71-673	205960	SHOE & LINING (1 WHEEL) 6K NEV-R-ADJUST LH	N/S
K71-674	205965	SHOE & LINING (1 WHEEL) 6K NEV-R-ADJUST RH	N/S
BP04-180	206700	SHOE & LINING (1 WHEEL) 7K	3
K71-675	206705	SHOE & LINING (1 WHEEL) 7K NEV-R-ADJUST LH	N/S
K71-676	206710	SHOE & LINING (1 WHEEL) 7K NEV-R-ADJUST RH	N/S
BP06-090	212400	SHOE HOLD DOWN SPRING	4
BP07-150	217400	SHOE RETURN SPRING, SINGLE RETURN	N/S
BP07-105	216625	SHOE RETURN SPRING, DUAL RETURN, PKG OF 2	5
BP08-070	220000	ADJUSTER SPRING	6
BP10-060	222400	ADJUSTER	7
BP10-220	225100	ADJUSTER DUST PLUG, PKG OF 4	N/S
BP19-001	236502	MAGNET RETAINER CLIP FOR OVAL MAGNET, PKG OF 4	8



Standard Manual Adjust



Dexter 12" x 2" Mobile Home Electric



Replacement Parts

Mobile home brakes are designed to be used solely for the purpose of transporting mobile homes. They are welded directly to the axle; therefore complete assemblies are not available and only the following replacement part is available.

PART NO.	REF. NO.	DESCRIPTION	ITEM
BP01-140	194200	MAGNET KIT (BLACK WIRE)	1

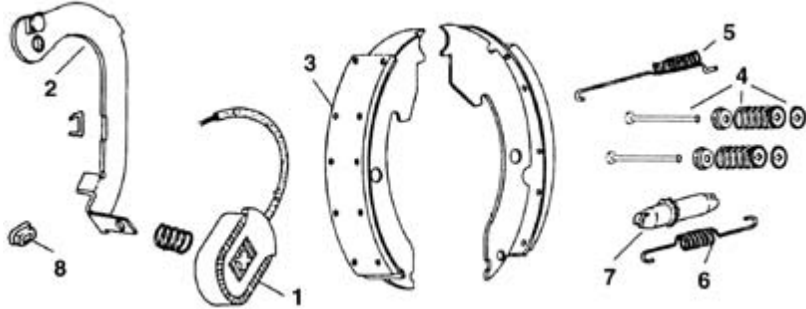


Hayes/AL-KO 12" x 2" Electric



- Capacity: 7,000 lbs. per pair
- In late 1987, brake was redesigned to use oval style magnet, replacing round magnet. Old style magnets and replacement parts are available, complete assemblies are not.

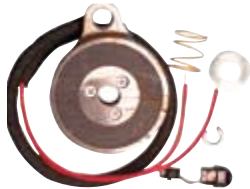
BRAKE ASSEMBLIES



New



Old



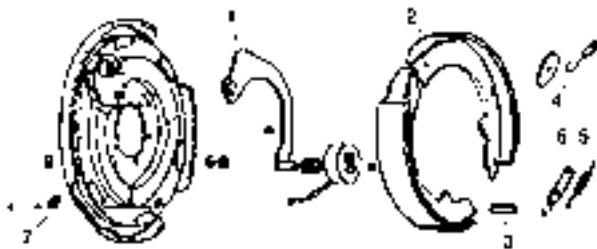
Hayes/AL-KO 12" x 2" Electric Brake Assemblies

PART NO.	REF. NO.	DESCRIPTION
60208712	185100	LEFT BRAKE, 7K
60208713	185150	RIGHT BRAKE, 7K

Replacement Parts

PART NO.	REF. NO.	DESCRIPTION	ITEM
BP01-160	194600	MAGNET KIT, ROUND (OLD STYLE 5.2K)	N/S
BP01-180	195000	MAGNET KIT, OVAL (NEW STYLE)	1
BP02-224	201225	ACTUATING ARM, LEFT HAND (NEW STYLE)	2
BP02-228	201250	ACTUATING ARM, RIGHT HAND (NEW STYLE)	2
BP04-185	206725	SHOE & LINING (1 WHEEL)	3
BP06-090	212400	SHOE HOLD DOWN SPRING	4
BP07-150	217400	SHOE RETURN SPRING, SINGLE RETURN	5
BP08-070	220000	ADJUSTER SPRING	6
BP10-060	222400	ADJUSTER	7
BP10-220	225100	ADJUSTER DUST PLUG, PKG OF 4	8
BP19-001	236502	MAGNET RETAINER CLIP FOR OVAL MAGNET, PKG OF 4	N/A

Foreman 12" x 2" Electric



- Due to production being discontinued in 1980, only the following replacement parts are available.
- Please do not confuse this brake or magnet with the mobile home brake. (See C-11 for mobile home brake.) The magnet size is different and the Foreman magnet had white wire leads.

Replacement Parts

PART NO.	REF. NO.	DESCRIPTION	ITEM
BP04-150	205950	SHOE & LINING (1 WHEEL)	2
BP06-090	212400	SHOE HOLD DOWN SPRINGS	3
BP07-105	216625	SHOE RETURN SPRING, PKG OF 2	4
BP08-070	220000	ADJUSTER SPRING	5
BP10-060	222400	ADJUSTER	6
BP10-220	225100	ADJUSTER DUST PLUG, PKG OF 4	7

Fayette 12" x 2" Electric



- Due to production being discontinued in 1984, only the following replacement parts are available.

Replacement Parts		
PART NO.	REF. NO.	DESCRIPTION
BP04-150	205950	SHOE & LINING (1 WHEEL)
BP06-090	212400	SHOE HOLD DOWN SPRINGS
BP08-070	220000	ADJUSTER SPRING
BP07-150	217400	SHOE RETURN SPRING
BP10-060	222400	ADJUSTER
BP10-220	225100	ADJUSTER DUST PLUG, PKG OF 4

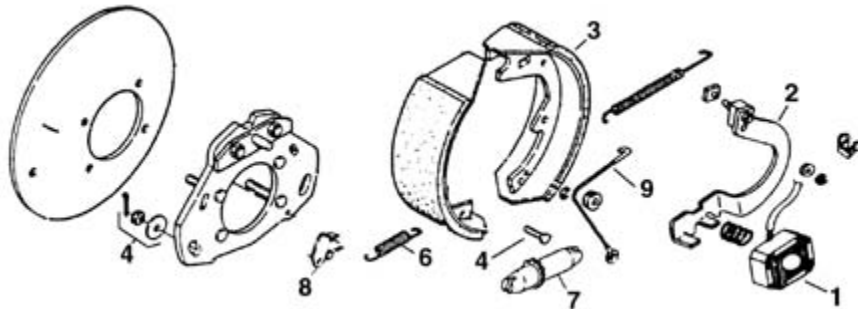


BRAKE ASSEMBLIES

Hayes/AL-KO 12" x 3 3/8" Electric



- Capacity: 8,000 lbs. per pair
- In 1995 this brake was redesigned to use the ventilated magnet, replacing the round magnet.



Hayes/AL-KO 12" x 3 3/8" Electric Brake Assemblies

PART NO.	REF. NO.	DESCRIPTION
60204403	185600	LEFT BRAKE (SHOWN IN PHOTO)
60204303	185800	RIGHT BRAKE

Replacement Parts			
PART NO.	REF. NO.	DESCRIPTION	ITEM
BP01-285	197100	MAGNET KIT, 8K, VENTILATED DESIGN, AFTER 1995	1
BP04-220	207800	SHOE & LINING (1 WHEEL)	3
BP06-195	213500	SHOE HOLD DOWN KIT (1 WHEEL)	4
568239	221601	ADJUSTER SPRING	6
BP10-110	223200	ADJUSTER, RIGHT HAND	7
BP10-120	223400	ADJUSTER, LEFT HAND	7
568253	224605	ADJUSTER LEVER, RIGHT HAND	8
568254	224805	ADJUSTER LEVER, LEFT HAND	8
568245	225799	ADJUSTER CABLE	9

