

12" x 2" Single-Servo Hydraulic



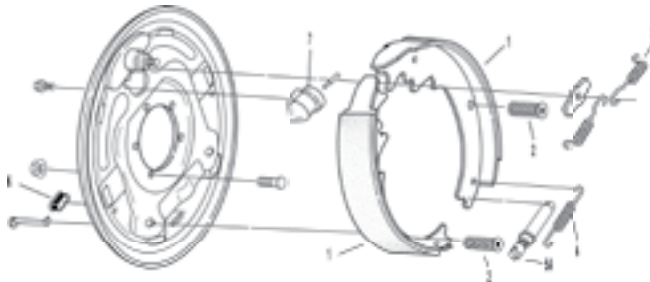
Standard Single-Servo



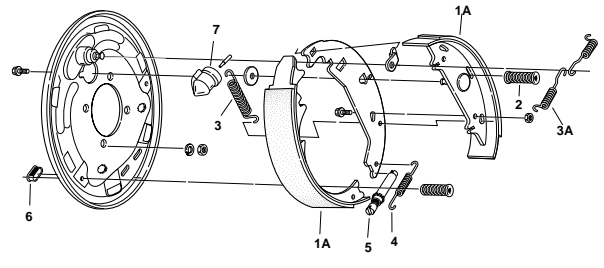
Dexter Free-backing



Demco Free-backing



Single-Servo



Free-Backing

BRAKE ASSEMBLIES

12" x 2" Single-Servo Hydraulic Brake Assemblies

* Choose from Standard Single-Servo or Free-Backing versions (Duo-Servo on next page)

PART NO.	REF. NO.	DESCRIPTION	CAPACITY PER PAIR
23-324	175425	LEFT BRAKE - DEXTER (SHOWN IN PHOTO)	5.2K
23-325	175450	RIGHT BRAKE - DEXTER	5.2K
23-338	175460	LEFT BRAKE - DEXTER	7K
23-339	175465	RIGHT BRAKE - DEXTER	7K
23-342	175500	LEFT BRAKE, FREEBACKING - DEXTER (SHOWN IN PHOTO)	7K
23-343	175550	RIGHT BRAKE, FREEBACKING - DEXTER	7K
23510	175350	RIGHT BRAKE - DEMCO, GALVANIZED	6K
23511	175400	LEFT BRAKE - DEMCO, GALVANIZED	6K
42028	175470	RIGHT BRAKE, FREEBACKING - DEMCO, GALVANIZED (SHOWN IN PHOTO)	6K
42029	175480	LEFT BRAKE, FREEBACKING - DEMCO, GALVANIZED	6K



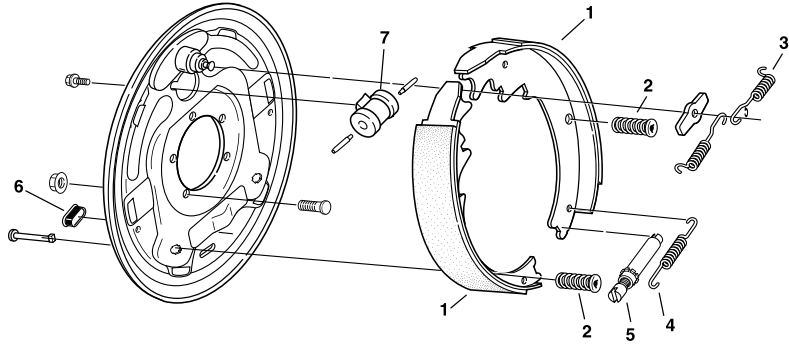
Replacement Parts

PART NO.	REF. NO.	DESCRIPTION	ITEM
BP04-160	206000	SHOE & LINING (1 WHEEL)	1
BP14-160	206001	SHOE & LINING (1 WHEEL)	1
BP04-162	206100	SHOE & LINING (1 WHEEL), RH DEXTER FREE-BACKING	1A
BP04-164	206200	SHOE & LINING (1 WHEEL), LH DEXTER FREE-BACKING	1A
BP04-168	206300	SHOE & LINING (1 WHEEL), DEMCO FREE-BACKING	1A
BP06-090	212400	SHOE HOLD DOWN SPRINGS	2
BP07-121	216830	PRIMARY SHOE RETURN SPRING SET (UPPER & LOWER), DEXTER FREE-BACKING (QTY3)	3A
BRK-DEM12HFB-SRS	216857	PRIMARY SHOE RETURN SPRING SET (UPPER & LOWER), DEMCO FREE-BACKING (QTY3)	3A
BP07-175	217700	SHOE RETURN SPRINGS	3
BP08-120	220400	ADJUSTER SPRING	4
BP10-080	222800	ADJUSTER, DEXTER FREE-BACKING, DEMCO	5
BP10-045	222100	ADJUSTER, DEXTER	5A
BP10-220	225100	ADJUSTER DUST PLUG, (ALL) PKG OF 4	6
BP17-020	233200	WHEEL CYLINDER ASSEMBLY, RH, SINGLE-SERVO	N/S
BP17-030	233400	WHEEL CYLINDER ASSEMBLY, LH, SINGLE-SERVO	7



12" x 2" Duo-Servo Hydraulic

BRAKE
ASSEMBLIES



12" x 2" Duo-Servo Hydraulic Brake Assemblies

* Duo-Servo

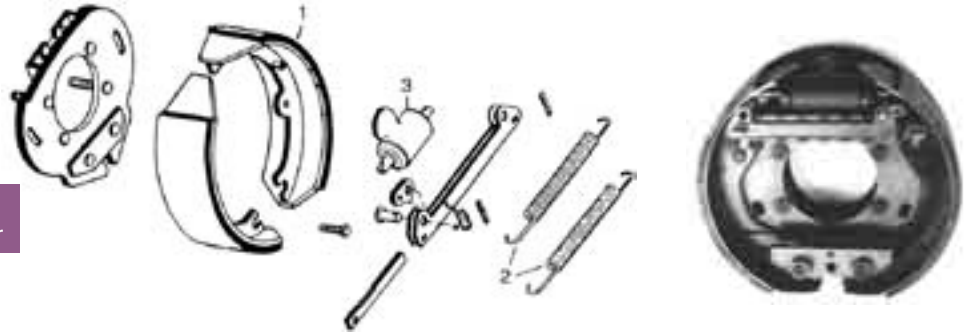
PART NO.	REF. NO.	DESCRIPTION
23-322	176225	LEFT BRAKE (SHOWN IN PHOTO) 5.2K
23-323	176250	RIGHT BRAKE 5.2K
23-336	176500	LEFT BRAKE, 7K
23-337	176550	RIGHT BRAKE, 7K



Replacement Parts

PART NO.	REF. NO.	DESCRIPTION	ITEM
BP04-160	206000	SHOE & LINING (1 WHEEL)	1
BP14-160	206001	SHOE & LINING (1 WHEEL)	1
BP06-090	212400	SHOE HOLD DOWN SPRINGS	2
BP07-175	217700	SHOE RETURN SPRING	3
BP08-120	220400	ADJUSTER SPRING	4
BP10-045	222100	ADUSTER, DEXTER	5
BP10-220	225100	ADJUSTER DUST PLUG (ALL), PKG OF 4	6
BP17-040	233600	WHEEL CYLINDER ASSEMBLY, RH, DUO-SERVO	7
BP17-050	233800	WHEEL CYLINDER ASSEMBLY, LH, DUO-SERVO	7

Hayes/AL-KO 12" x 3 3/8" Duo-Servo Hydraulic



- Duo-Servo
- Capacity: 8,000 lbs. per pair

Hayes/AL-KO 12" x 3 3/8" Duo-Servo Hydraulic Brake Assemblies

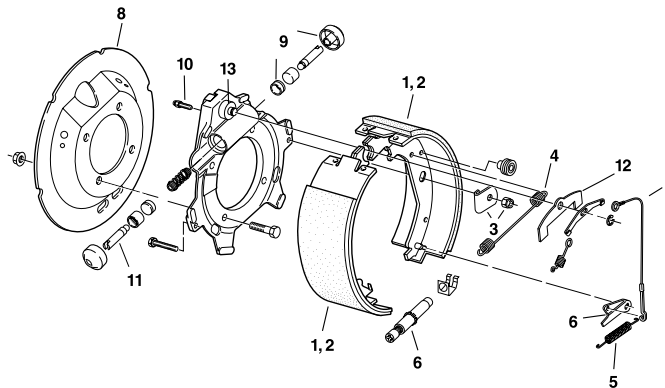
PART NO.	REF. NO.	DESCRIPTION
60206803	177200	LEFT BRAKE OR RIGHT BRAKE

Replacement Parts

PART NO.	REF. NO.	DESCRIPTION	ITEM
K363925	208030	SHOE & LINING (1 WHEEL)	1
BP07-215	218700	SHOE RETURN SPRINGS (QTY 2)	2
BP17-080	234400	WHEEL CYLINDER ASSEMBLY, LH OR RH	3



Dexter 12 1/4" x 3 3/8" Duo-Servo Hydraulic, 4 Bolt Flange



- Duo-Servo
- Capacity: 9,000 lbs. per pair (Dexter 9,000 lb. before 10/1/89, all 8,000 lb.)
- Redesigned with forward adjust feature in 1997.

Dexter 12 1/4" x 3 3/8" Duo-Servo Hydraulic Brake Assemblies

PART NO.	REF. NO.	DESCRIPTION
23-402	178205	LEFT BRAKE (SHOWN IN PHOTO), 9K, 4-BOLT
23-403	178210	RIGHT BRAKE, 9K, 4 BOLT

Replacement Parts

PART NO.	REF. NO.	DESCRIPTION	ITEM
BP04-260	208600	SHOE & LINING (1 WHEEL), LH	1
BP04-270	208800	SHOE & LINING (1 WHEEL), RH	2
BP06-235	214300	SHOE HOLD DOWN KIT	3
BP07-240	219200	SHOE RETURN SPRING	4
BP08-150	220900	ADJUSTER SPRING, OLD STYLE	5
BP10-135	223700	ADJUSTER, LEVER & SPRING, LH, OLD STYLE	6
BP10-145	223900	ADJUSTER, LEVER & SPRING, RH, OLD STYLE	6
BP10-150	223950	ADJUSTER KIT FOR FORWARD ADJUST BRAKES, LH	5,6,7
BP10-160	223960	ADJUSTER KIT FOR FORWARD ADJUST BRAKES, RH	5,6,7
BP13-033	225610	ADJUSTER CABLE & RETAINER, 1987-1996 (14" LONG)	7
BP15-015	227700	BRAKE DUST SHIELD (1 PIECE), 8K, 4-BOLT	8
BP16-040	232400	WHEEL CYLINDER REBUILD KIT (1.00" BORE)	9
BP18-011	234810	BLEEDER SCREW (QTY 4)	10
54-33	235011	CYLINDER PUSH ROD	11
34-62	235026	PISTON STOP BAR, AFTER 1987	12

