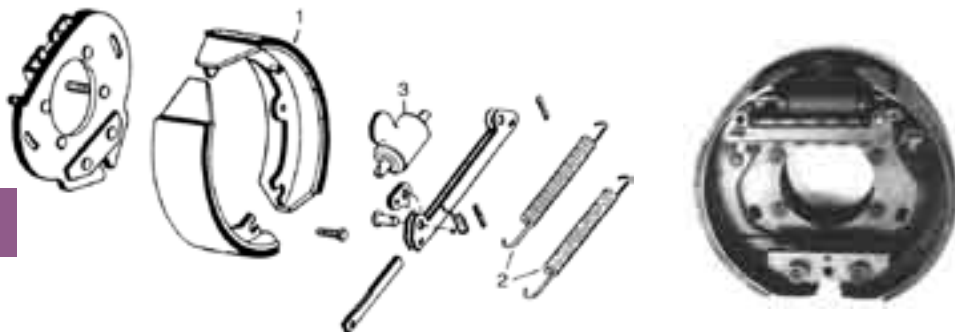


## Hayes/AL-KO 12" x 3 3/8" Duo-Servo Hydraulic



- Duo-Servo
- Capacity: 8,000 lbs. per pair

### Hayes/AL-KO 12" x 3 3/8" Duo-Servo Hydraulic Brake Assemblies

PART NO.	REF. NO.	DESCRIPTION
60206803	177200	LEFT BRAKE OR RIGHT BRAKE

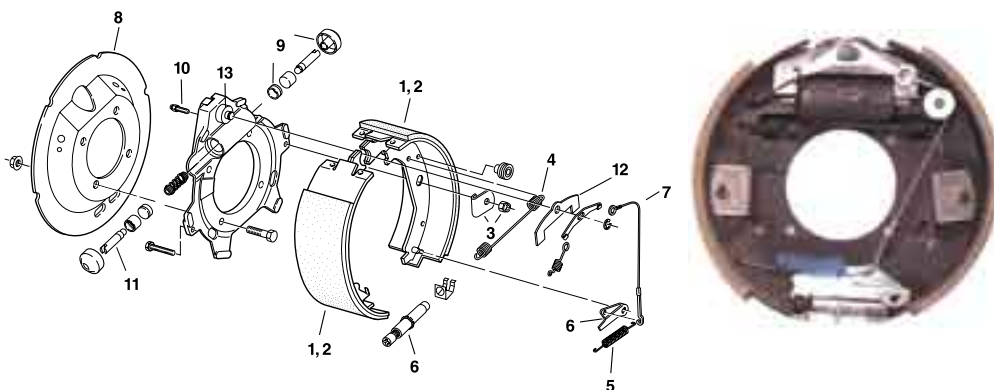
#### Replacement Parts

PART NO.	REF. NO.	DESCRIPTION	ITEM
K363925	208030	SHOE & LINING (1 WHEEL)	1
BP07-215	218700	SHOE RETURN SPRINGS (QTY 2)	2
BP17-080	234400	WHEEL CYLINDER ASSEMBLY, LH OR RH	3



BRAKE ASSEMBLIES

## Dexter 12 1/4" x 3 3/8" Duo-Servo Hydraulic, 4 Bolt Flange



- Duo-Servo
- Capacity: 9,000 lbs. per pair (Dexter 9,000 lb. before 10/1/89, all 8,000 lb.)
- Redesigned with forward adjust feature in 1997.

### Dexter 12 1/4" x 3 3/8" Duo-Servo Hydraulic Brake Assemblies

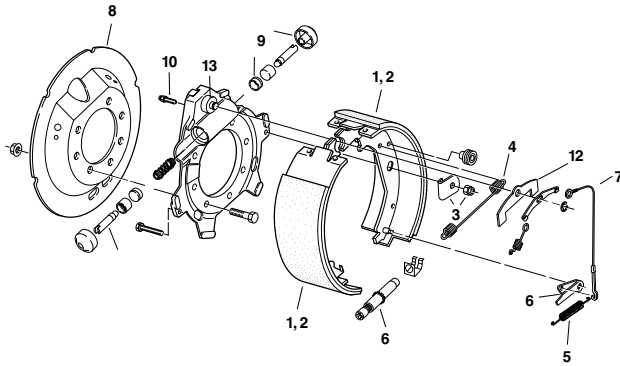
PART NO.	REF. NO.	DESCRIPTION
23-402	178205	LEFT BRAKE (SHOWN IN PHOTO), 9K, 4-BOLT
23-403	178210	RIGHT BRAKE, 9K, 4 BOLT

#### Replacement Parts

PART NO.	REF. NO.	DESCRIPTION	ITEM
BP04-260	208600	SHOE & LINING (1 WHEEL), LH	1
BP04-270	208800	SHOE & LINING (1 WHEEL), RH	2
BP06-235	214300	SHOE HOLD DOWN KIT	3
BP07-240	219200	SHOE RETURN SPRING	4
BP08-150	220900	ADJUSTER SPRING, OLD STYLE	5
BP10-135	223700	ADJUSTER, LEVER & SPRING, LH, OLD STYLE	6
BP10-145	223900	ADJUSTER, LEVER & SPRING, RH, OLD STYLE	6
BP10-150	223950	ADJUSTER KIT FOR FORWARD ADJUST BRAKES, LH	5,6,7
BP10-160	223960	ADJUSTER KIT FOR FORWARD ADJUST BRAKES, RH	5,6,7
BP13-033	225610	ADJUSTER CABLE & RETAINER, 1987-1996 (14" LONG)	7
BP15-015	227700	BRAKE DUST SHIELD (1 PIECE), 8K, 4-BOLT	8
BP16-040	232400	WHEEL CYLINDER REBUILD KIT (1.00" BORE)	9
BP18-011	234810	BLEEDER SCREW (QTY 4)	10
54-33	235011	CYLINDER PUSH ROD	11
34-62	235026	PISTON STOP BAR, AFTER 1987	12



## Dexter 12 1/4" x 3 3/8" Duo-Servo Hydraulic, 7 Bolt Flange



- Duo-Servo
- Capacity: 10,000 lbs. per pair (fits Dexter 9K after 1989).
- Redesigned with forward adjust feature in February 1997.

BRAKE ASSEMBLIES



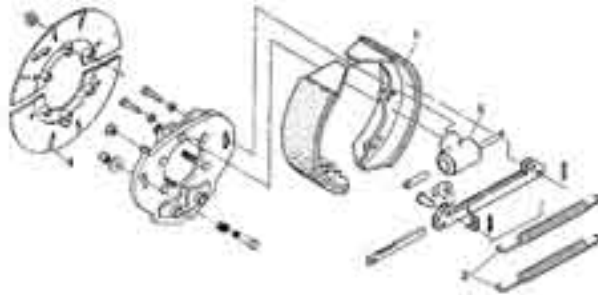
### Dexter 12 1/4" x 3 3/8" Duo-Servo Hydraulic Brake Assemblies

PART NO.	REF. NO.	DESCRIPTION
23-410	178275	LEFT BRAKE (SHOWN IN PHOTO), 9K (AFTER 10/89), 10K GD, 7-BOLT
23-411	178300	RIGHT BRAKE, 9K (AFTER 10/89), 10K GD, 7-BOLT

#### Replacement Parts

PART NO.	REF. NO.	DESCRIPTION	ITEM
BP04-260	208600	SHOE & LINING (1 WHEEL) LH	1
BP04-270	208800	SHOE & LINING (1 WHEEL) RH	2
BP06-235	214300	SHOE HOLD DOWN KIT	3
BP07-240	219200	SHOE RETURN SPRING	4
BP08-150	220900	ADJUSTER SPRING, OLD STYLE	5
BP10-135	223700	ADJUSTER, LEVER & SPRING, LH, OLD STYLE	6
BP10-145	223900	ADJUSTER, LEVER & SPRING, RH, OLD STYLE	6
BP10-150	223950	ADJUSTER KIT FOR FORWARD SELF-ADJUST BRAKE, LH	5,6,7
BP10-160	223960	ADJUSTER KIT FOR FORWARD SELF-ADJUST BRAKE, RH	5,6,7
BP13-033	225610	ADJUSTER CABLE & RETAINER, 1987-1996 (14" LONG)	7
BP15-085	229100	BRAKE DUST SHIELD, 7-BOLT (1 PIECE) METAL	8
BP16-050	232600	WHEEL CYLINDER REBUILD KIT (1.25" BORE)	9
BP18-011	234810	BLEEDER SCREW (QTY 4)	10
54-33	235011	CYLINDER PUSH ROD	11
34-62	235026	PISTON STOP BAR, AFTER 1987	12

## Hayes 12 1/4" x 3 1/2" Duo-Servo Hydraulic



- Duo-Servo
- Capacity: 12,000 lbs. per pair



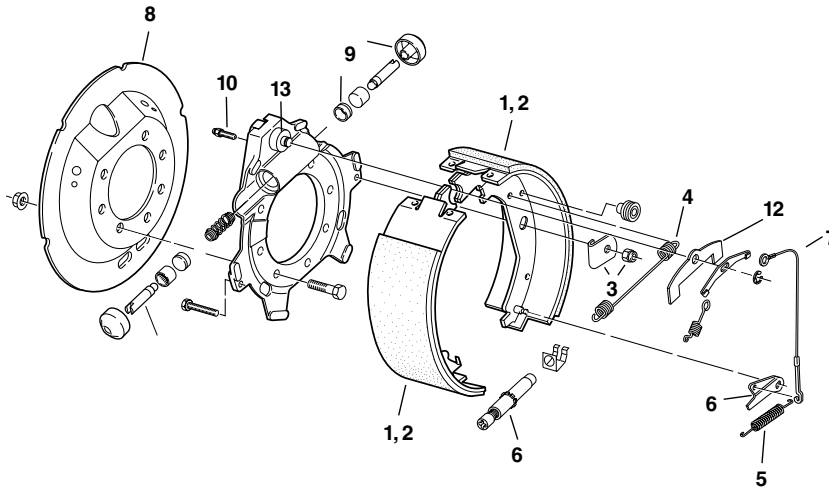
### Hayes 12 1/4" x 3 1/2" Duo-Servo Hydraulic Brake Assemblies

PART NO.	REF. NO.	DESCRIPTION
60206801	177800	LEFT OR RIGHT BRAKE (SHOWN IN PHOTO)

#### Replacement Parts

PART NO.	REF. NO.	DESCRIPTION	ITEM
BP04-300	209400	SHOE & LINING (1 WHEEL)	1
BP07-215	218700	SHOE RETURN SPRINGS (QTY 2)	2
BP15-100	229400	BRAKE DUST SHIELD (LOWER)	4
BP17-090	234600	WHEEL CYLINDER ASSEMBLY, LH OR RH	5

## Dexter 12 1/4" x 4" Duo-Servo Hydraulic



BRAKE ASSEMBLIES

### Dexter 12 1/4" x 4" Duo-Servo Hydraulic Brake Assemblies

- \* Duo-Servo
- \* Capacity: 10,000 lbs. per pair
- \* Redesigned with forward adjust feature in 1997

PART NO.	REF. NO.	DESCRIPTION
23-404	179100	LEFT BRAKE (SHOWN IN PHOTO)
23-405	179150	RIGHT BRAKE

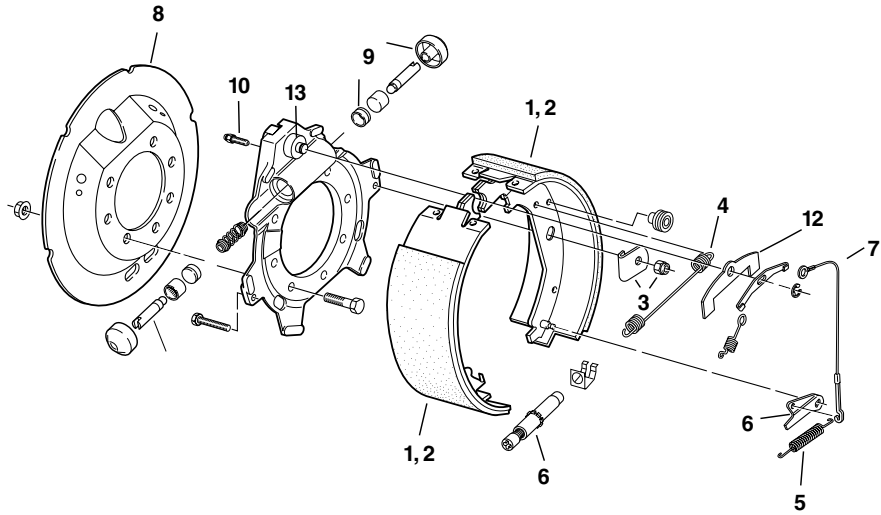
### Replacement Parts

PART NO.	REF. NO.	DESCRIPTION	ITEM
BP04-340	210000	SHOE & LINING (1 WHEEL), LH	1
BP04-350	210200	SHOE & LINING (1 WHEEL), RH	2
BP06-235	214300	SHOE HOLD DOWN KIT	3
BP07-240	219200	SHOE RETURN SPRING	4
BP08-150	220900	ADJUSTER SPRING, OLD STYLE	5
BP10-135	223700	ADJUSTER, LEVER & SPRING, LH, OLD STYLE	6
BP10-145	223900	ADJUSTER, LEVER & SPRING, RH, OLD STYLE	6
BP10-150	223950	ADJUSTER KIT FOR FORWARD SELF-ADJUST BRAKE, LH	5,6,7
BP10-160	223960	ADJUSTER KIT FOR FORWARD SELF-ADJUST BRAKE, RH	5,6,7
BP13-033	225610	ADJUSTER CABLE & RETAINER, 1987-1996 (14" LONG)	7
BP15-150	230300	BRAKE DUST SHIELD, 7-BOLT (1 PIECE) METAL	8
BP16-050	232600	WHEEL CYLINDER REBUILD KIT (1.250" BORE)	9
BP18-011	234810	BLEEDER SCREW (QTY 4)	10
54-33	235011	CYLINDER PUSH ROD	11
34-62	235026	PISTON STOP BAR, AFTER 1987	12



## Dexter 12 1/4" x 5" Duo-Servo Hydraulic

BRAKE  
ASSEMBLIES



### Dexter 12 1/4" x 5" Duo-Servo Hydraulic Brake Assemblies

\* Capacity: 12,000 & 15,000 lbs. per pair

\* Redesigned with forward adjust feature in 1997

PART NO.	REF. NO.	DESCRIPTION
23-408	179825	LEFT BRAKE (SHOWN IN PHOTO), 12K
23-409	179850	RIGHT BRAKE, 12K
23-406	180250	LEFT BRAKE, 15K
23-407	180300	RIGHT BRAKE, 15K

### Replacement Parts

PART NO.	REF. NO.	DESCRIPTION	ITEM
BP04-380	210800	SHOE & LINING (1 WHEEL), LH	1
BP04-390	211000	SHOE & LINING (1 WHEEL), RH	2
BP06-235	214300	SHOE HOLD DOWN KIT	3
BP07-240	219200	SHOE RETURN SPRING	4
BP08-150	220900	ADJUSTER SPRING	5
BP10-135	223700	ADJUSTER, LEVER & SPRING, LH	6
BP10-145	223900	ADJUSTER, LEVER & SPRING, RH	6
BP10-150	223950	ADJUSTER KIT FOR FORWARD SELF-ADJUST BRAKE, LH	6, 7
BP10-160	223960	ADJUSTER KIT FOR FORWARD SELF-ADJUST BRAKE, RH	6, 7
BP13-033	225610	ADJUSTER CABLE & RETAINER, 1987-1996 (14" LONG)	7
BP15-190	231100	BRAKE DUST SHIELD, 7-BOLT (1 PIECE) METAL	8
BP16-050	232600	WHEEL CYLINDER REBUILD KIT, 12K (1.250" BORE)	9
K71-082-00	232624	WHEEL CYLINDER REBUILD KIT, 15K (1.375" BORE)	9
BP18-011	234810	BLEEDER SCREW (QTY 4)	10
54-33	235011	CYLINDER PUSH ROD	11
34-62	235026	PISTON STOP BAR, AFTER 1987	12