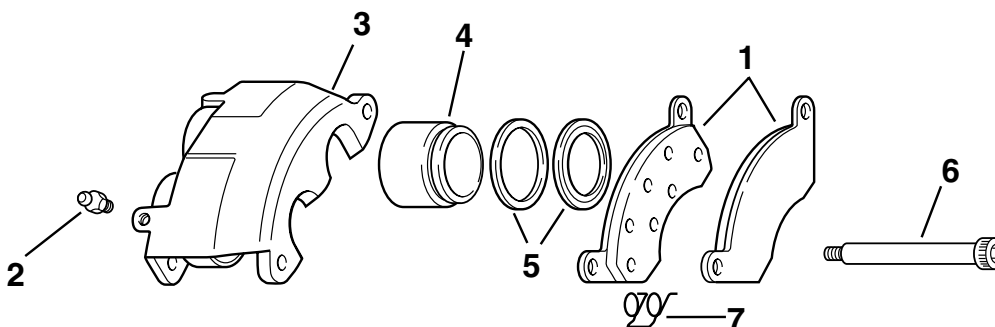


Replacement Parts for Dexter 10K and 12K Hydraulic Disc Brakes

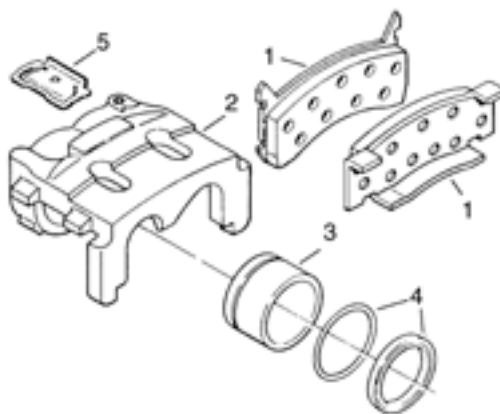


Replacement Parts for Dexter 10,000 lb. & 12,000 lb. Hydraulic Disc Brakes

* Capacity: 12,000 lbs. per pair

PART NO.	REF. NO.	DESCRIPTION	ITEM
BP04-395	211100	DISC BRAKE PAD & LINING (1 WHEEL) 10K & 12K	1
BP14-395	211111	DISC BRAKE PAD & LINING (1 WHEEL) 10K & 12K	1
BP18-016	234850	BLEEDER SCREW, 10K & 12K (QTY 4)	2
BP18-045	235425	DISC BRAKE CALIPER 10K & 12K	3
BP18-065	235975	DISC BRAKE CALIPER PISTON, 10K & 12K	4
BP18-075	236050	DISC BRAKE CALIPER REBUILD KIT, 10K & 12K	5
BP18-105	236430	CALIPER RETAINING SHOULDER BOLT, 5/8" X 5.00", 10K & 12K (1 WHEEL)	6
BP18-115	236460	DISC BRAKE PAD ANTI-RATTLE SPRING, 10K & 12K (1 WHEEL)	7

Replacement Parts for Hayes 10K and 12K Hydraulic Disc Brakes



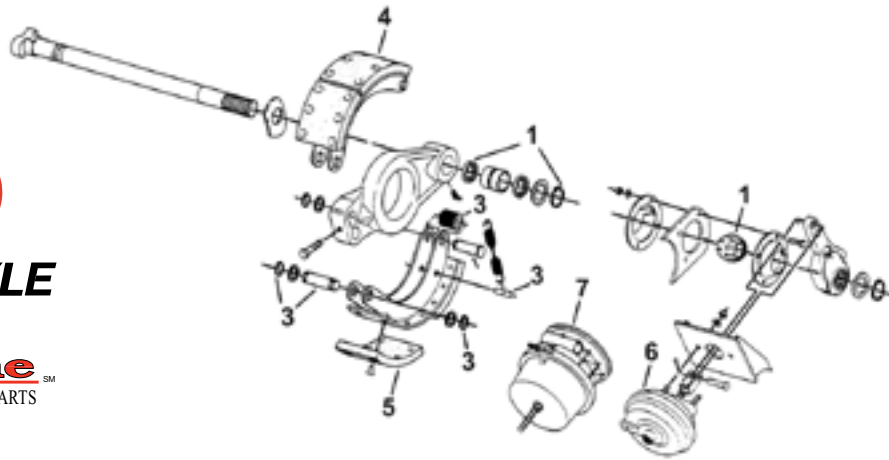
Replacement Parts for Hayes 10,000 lb. & 12,000 lb. Hydraulic Disc Brakes

* Capacity: 12,000 lbs. per pair

PART NO.	REF. NO.	DESCRIPTION	ITEM
BP04-400	211200	DISC BRAKE PAD & LINING (1 WHEEL) 10K & 12K	1
BP18-050	235600	DISC BRAKE CALIPER, LH, 10K & 12K	2
BP18-060	235800	DISC BRAKE CALIPER, RH, 10K & 12K	2
096930	235995	DISC BRAKE CALIPER PISTON, 10K & 12K	3
BP18-080	236200	DISC BRAKE CALIPER REBUILD KIT, 10K & 12K	4
BP18-090	236400	DISC BRAKE PAD RETAINER PLATE, 10K & 12K	5

Miscellaneous Air Brake Replacement Parts for Dexter Air Brakes

BRAKE
ASSEMBLIES



PART NO.	REF. NO.	DESCRIPTION	ITEM
BP20-090	240800	CAMSHAFT REPAIR KIT FOR 12 1/4" DEXTER AIR BRAKES, INCLUDES WASHERS, SEALS & BUSHINGS	1
BP20-120	241400	BRAKE SHOE REPAIR KIT FOR 12 1/4" DEXTER AIR BRAKES, INCLUDES ROLLERS, ANCHOR PINS, ETC. (OLD STYLE)	3
K71-136	241426	BRAKE SHOE REPAIR KIT FOR 16 1/2" Q-STYLE DEXTER AIR BRAKES, INCLUDES ROLLERS, ANCHOR PINS, ETC.	N/S
BP20-135	241450	BRAKE SHOE REPAIR KIT W/ROLLERS, ANCHOR PINS, FOR DEXTER 12 1/4" PQ SHOES	N/S
BP22-010	243200	SHOE W/LINING (2 PER WHEEL REQUIRED) FOR 12 1/4" X 4" (OLD STYLE)	4A
BP22-015	243300	SHOE W/LINING (2 PER WHEEL REQUIRED) FOR 12 1/4" X 4" DEXTER AIR BRAKE "PQ-STYLE"	4B
BP22-020	243400	SHOE W/LINING (2 PER WHEEL REQUIRED) FOR 12 1/4" X 5" (OLD STYLE)	4A
BP22-025	243500	SHOE W/LINING (2 PER WHEEL REQUIRED) FOR 12 1/4" X 5" DEXTER AIR BRAKE "PQ-STYLE"	4B
BP22-035	243650	SHOE W/LINING (2 PER WHEEL REQUIRED) FOR 12 1/4" X 7 1/2" DEXTER AIR BRAKE "PQ-STYLE"	4B
K71-102-00	245850	REP'L LININGS, (1 WHEEL) 12 1/4" X 4"	5
K71-152-00	245950	REP'L LININGS, (1 WHEEL) 12 1/4" X 5"	5
34-260-7	246750	AIR CHAMBER, TYPE 20, FOR 12 1/4" X 4", AFTER 8/98	6
34-59-1	246800	AIR CHAMBER, TYPE 24, FOR 12 1/4" X 7 1/2" AIR BRAKE	6
34-57-1	247000	AIR CHAMBER, TYPE 30, FOR 12 1/4" OR 16 1/2" AIR BRAKE	6
34-261-7	247300	SPRING BRAKE CHAMBER, TYPE 20/24 FOR 12 1/4" X 4", AFTER 8/98	6 & 7
34-60-1	247400	SPRING BRAKE CHAMBER, TYPE 24/30 COMBINATION	6 & 7
34-58-1	247600	SPRING BRAKE CHAMBER, TYPE 30/30 COMBINATION	6 & 7



"Old Style" 4A



"PQ Style" 4B



"Q Style"